

The GNS 5851 StarterKit has been designed to support developers during design-in of the GNS 5851 stand-alone module solution.

Introduction

This Quick Guide is a short summary of the most important features of the GNS5851 StarterKit. The complete User Guide is currently not yet available and will be completed shortly.

This manual shows how to connect the GNS5851 StarterKit to a PC in order to verify GNS 5851 **AIS Receiver** module performance and test supported features.

For technical specification, please refer to the **GNS5851_AIS_receiver_datasheet**.

Connected to a PC, all AIS NMEA Data is routed to the Mini-USB port.

GNS 5851 StarterKit Features

- Power supply via Mini-USB socket
- Access to all signals of the GNS 5851 via pin header contacts.
- PC data connection via the integrated USB to UART converter or direct access to the serial interface (3.3V) of the GNS 5851 for connection to other data processing devices.
- SMA antenna connector for 162MHz VHF RF In
- AIS "Frame Indicator" LED provides optical reception indication

Index

Introduction	2
1 Description of the GNS 5851 StarterKit	4
2 USB Driver Installation	5
2.1 Windows 10	5
2.2 Linux.....	5
2.3 MacOS.....	5
3 GNS5851 StarterKit Board Layout	6
4 GNS5851 StarterKit Board Block Diagram	8
4.1 Getting started	8
5 GNS5851 StarterKit Hardware	9
5.1 Assembly Drawing Top Side (with dimensions)	9
5.2 GNS 5851 StarterKit Schematic	10
5.3 PCB Layout	11
6 ORDERING INFORMATION	12
7 RELATED DOCUMENTS	12
8 DOCUMENT REVISION HISTORY	12

1 Description of the GNS 5851 StarterKit

The GNS 5851 StarterKit package includes the following items:

- GNS 5851 StarterKit PCB, fully populated and tested
- Aluminium housing (with PCB installed)
- AIS VHF antenna
- USB-Cable (USB-A to Mini-A)

Since the GNS 5851 module has the same pinout as the GNS 5892R and GNS 5894T modules, they share a single StarterKit PCB design. Depending on the production batch, your board might be marked as GNS 5851, GNS 5892R, GNS 5894T or a combination thereof. For the same reason, parts of the board may be unpopulated because they are only significant for other modules.

2 USB Driver Installation

The GNS 5851 Starter kit features an FTDI USB-to-UART bridge which may need a manually installed driver to properly work.

2.1 Windows 10

If Windows does not recognize the FTDI bridge automatically, the appropriate driver needs to be installed manually. Both the driver and the *Installation Guide* are available from FTDI through the following link under the section *Virtual COM Port Drivers*: <https://ftdichip.com/drivers/vcp-drivers/>

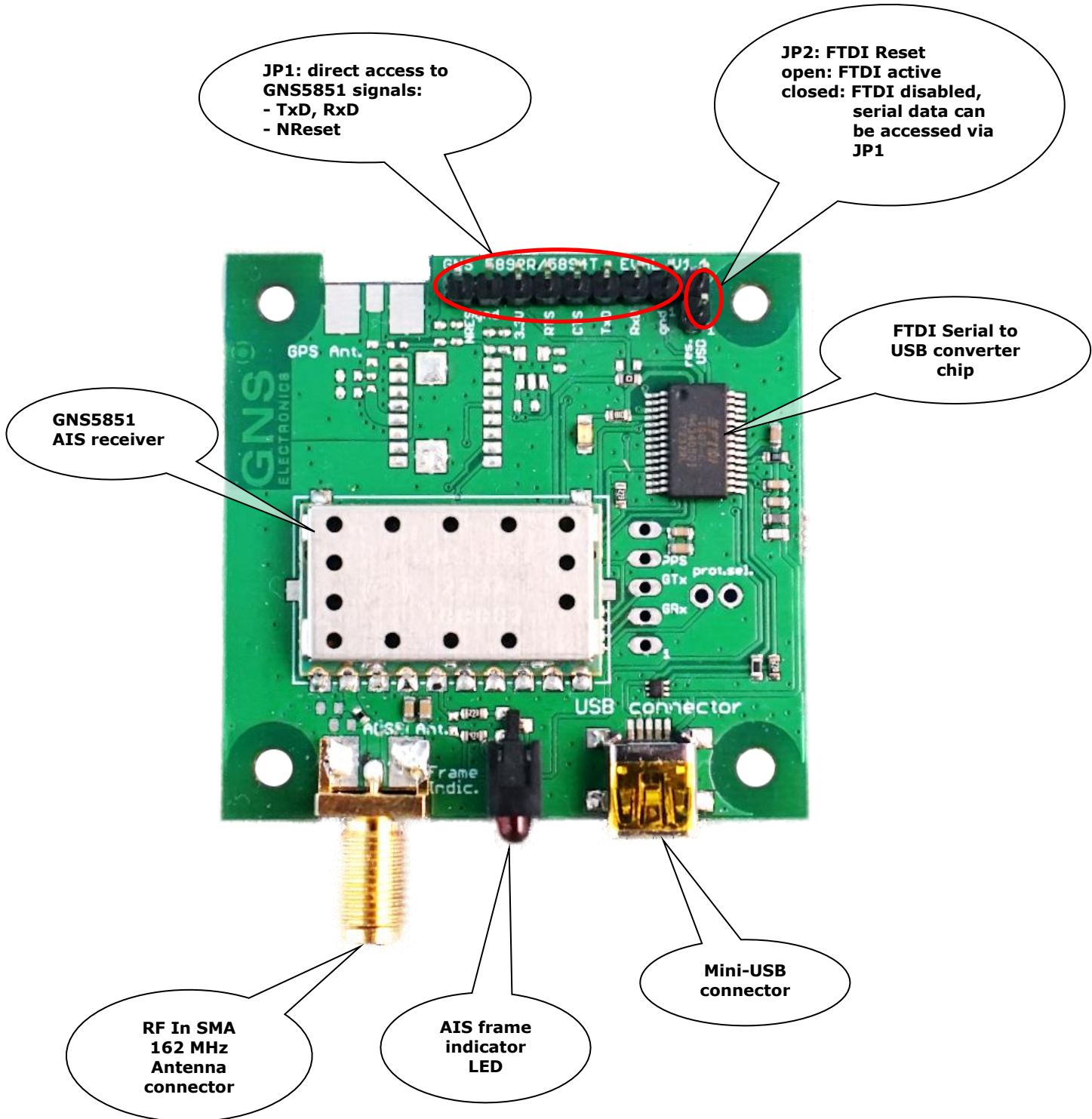
2.2 Linux

The FTDI Virtual Com Port (VCP) driver is built into the Linux kernel. VCP devices will appear as /dev/ttyUSBx

2.3 MacOS

While GNS-Electronics does not fully support macOS as a development platform, limited driver support is available from FTDI's VCP-Driver web-page: <https://ftdichip.com/drivers/vcp-drivers/>

3 GNS5851 StarterKit Board Layout



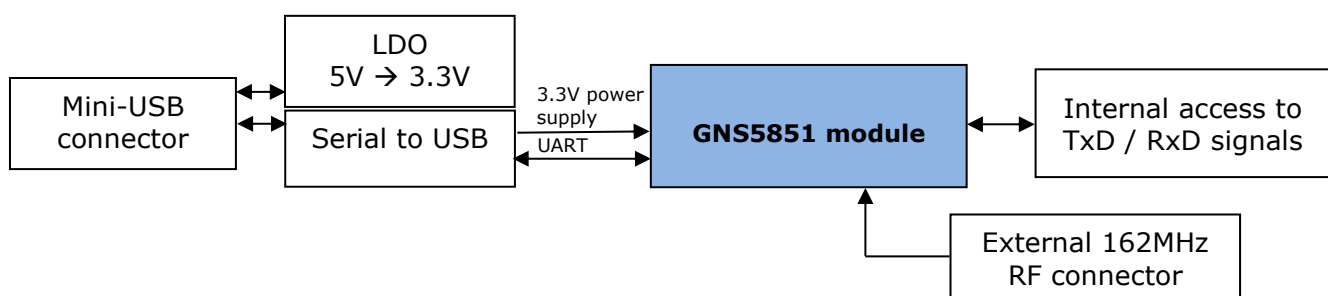
JUMPER AND CONNECTOR DESCRIPTION

CONNECTOR	PIN	SIGNAL	DESCRIPTION
JP1		1: GND 2: RxD (GNS5851 ser. input) 3: TxD (GNS5851 ser. output) 4: N.U. (marked CTS) 5: N.U. (marked RTS) 6: 3.3V 7: GND 8: /RESET GNS5851, active LOW	Direct access to GNS5851 UART. UART I/O Voltage is 3.3V.
JP2		1: GND 2: \RESET FTDI, active LOW	Open: Operation via USB Port Close: USB to serial converter is disabled, ser. Port (JP1) can be accessed.

Description of AIS frame indicator

AIS frame indicator	Comment
flashing	AIS frames are received and output via the serial interface.
Off	No data is received

4 GNS5851 StarterKit Board Block Diagram

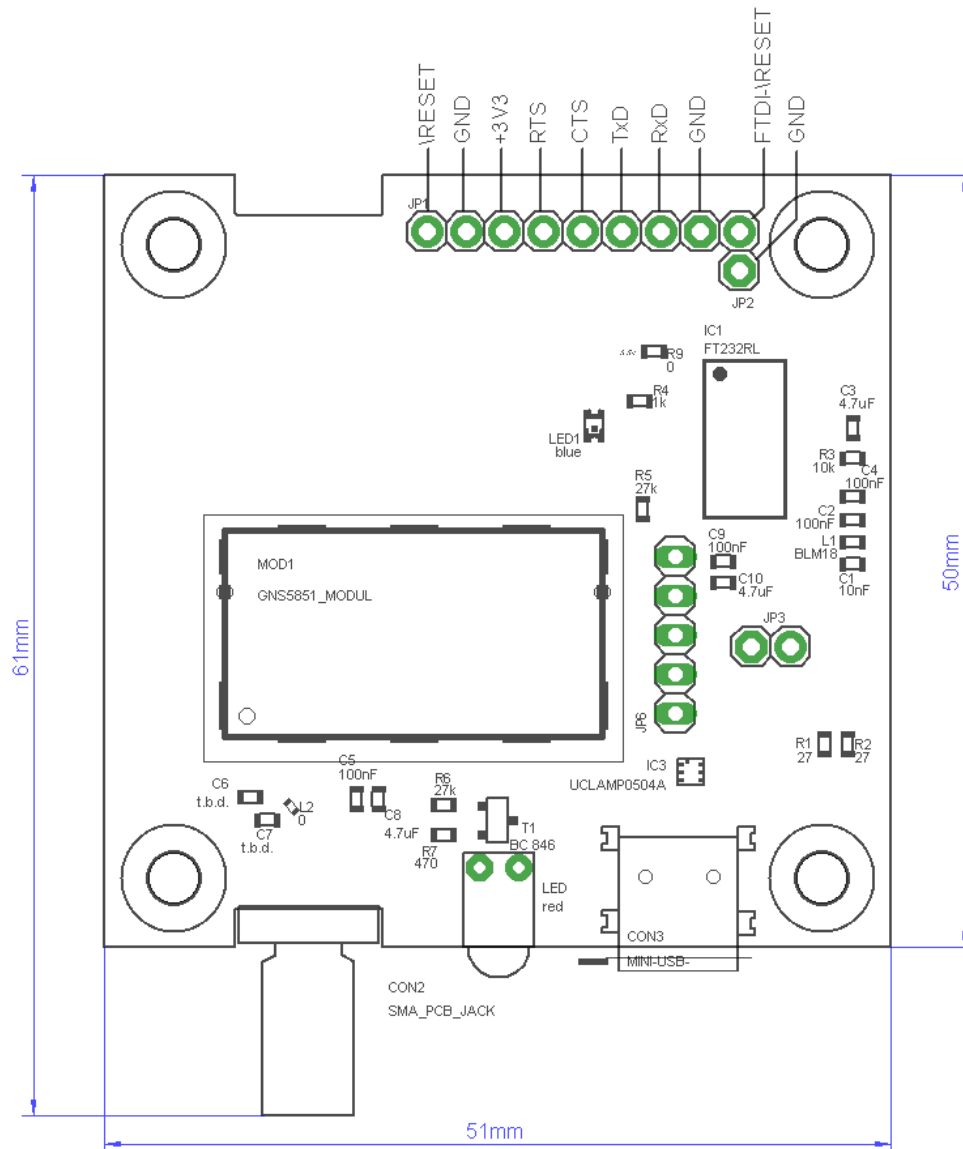


4.1 Getting started

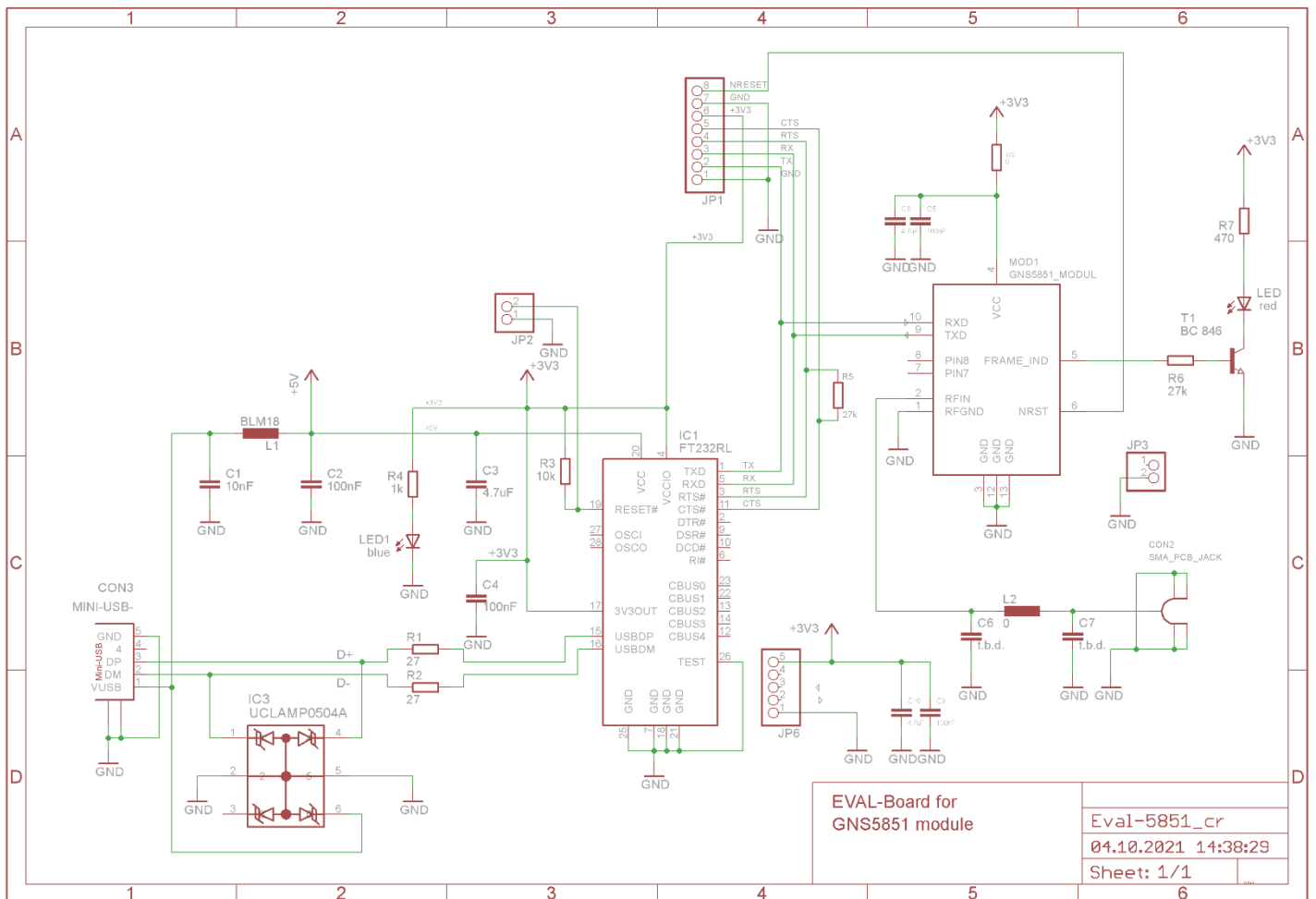
1. Connect the antenna to the GNS 5851 StarterKit
2. Connect the GNS 5851 StarterKit via USB to a Windows PC
3. After a few seconds the device is ready for use and is displayed in the device manager as "USB Serial Port" under the category "Ports". Please refer to chapter 2 if the driver is not installed automatically.

5 GNS5851 StarterKit Hardware

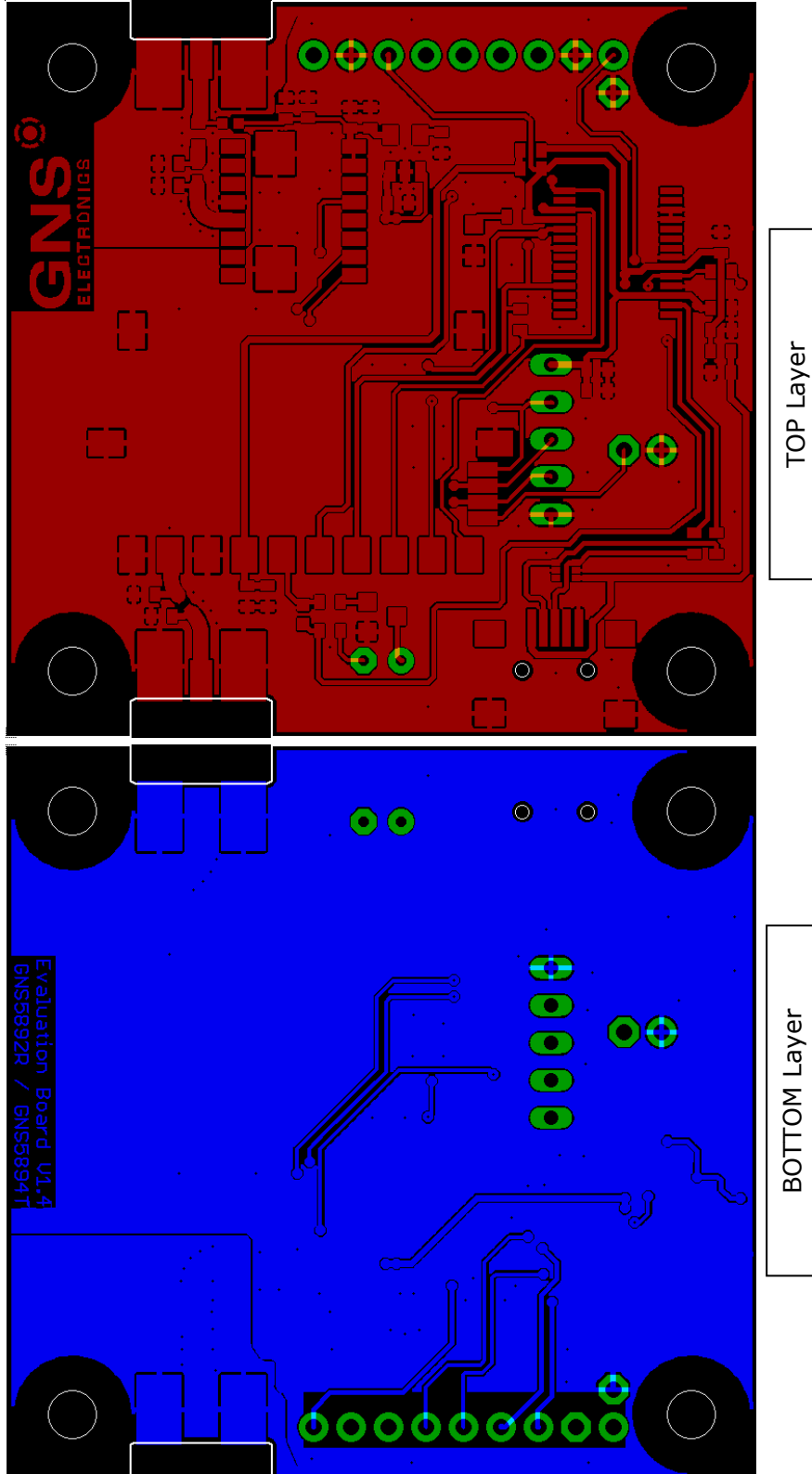
5.1 Assembly Drawing Top Side (with dimensions)



5.2 GNS 5851 StarterKit Schematic



5.3 PCB Layout



6 ORDERING INFORMATION

Ordering information			
Type	Part#		Description
GNS 5851 Starter Kit	4037735100077		

7 RELATED DOCUMENTS

Name	Description	Available from
GNS5851_AIS_receiver_datasheet_0.9.pdf	GNS 5851AIS Module Datasheet	www.gns-electronics.de

8 DOCUMENT REVISION HISTORY

Version	Date	Author	Description
V0.9	2021-09-28	C. Diehl	initial document